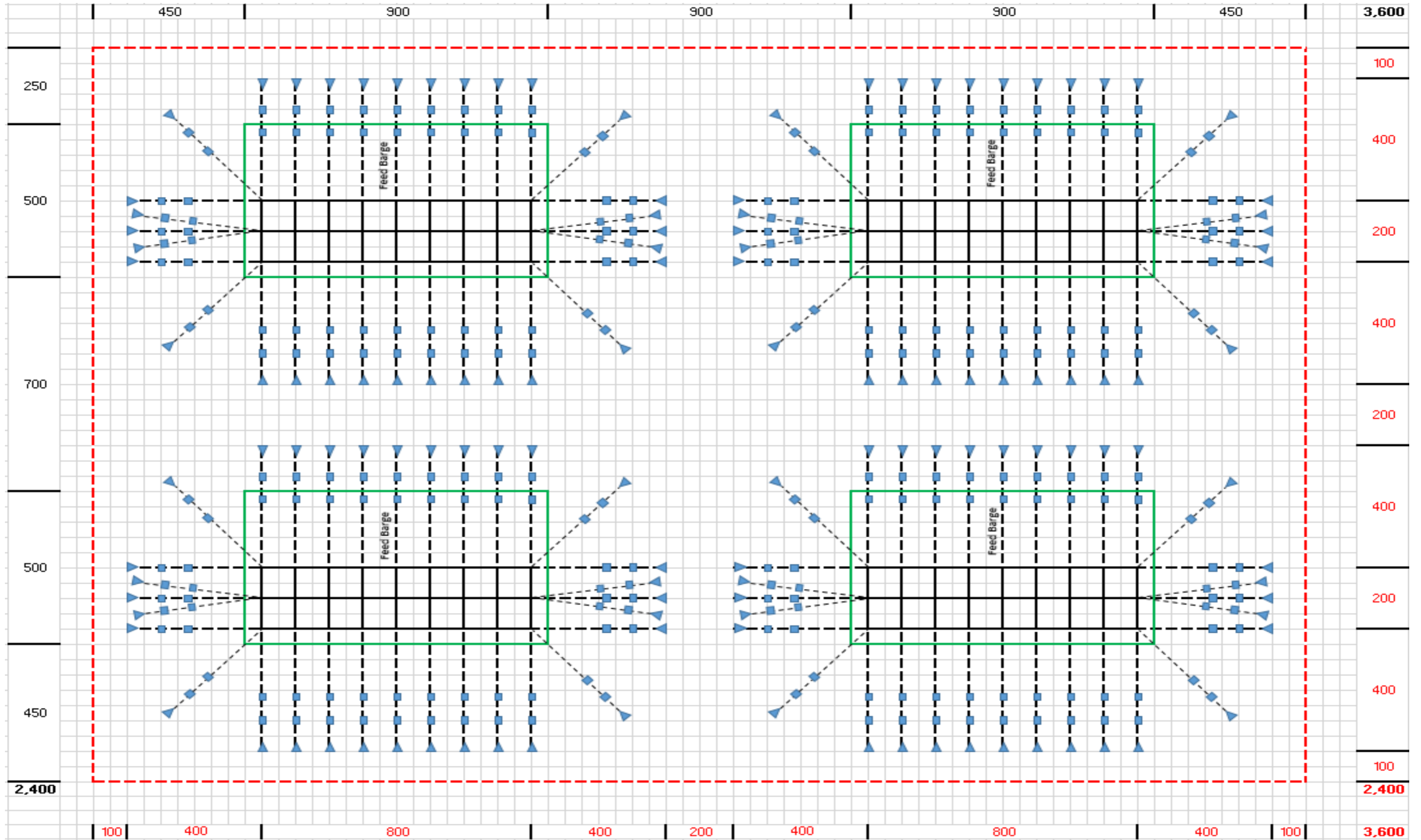


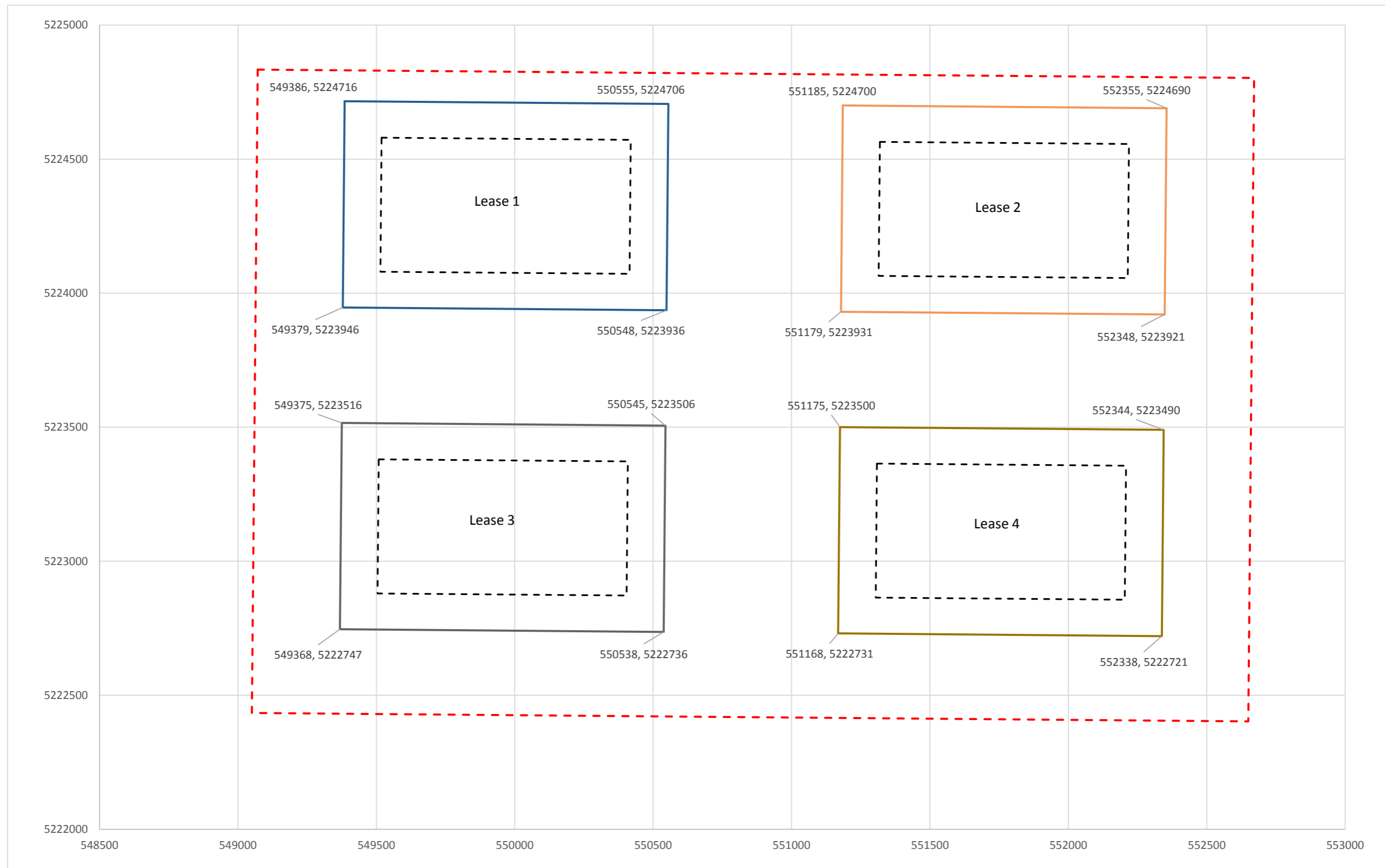
Appendix 12 West of Wedge mooring grid layout

West of Wedge

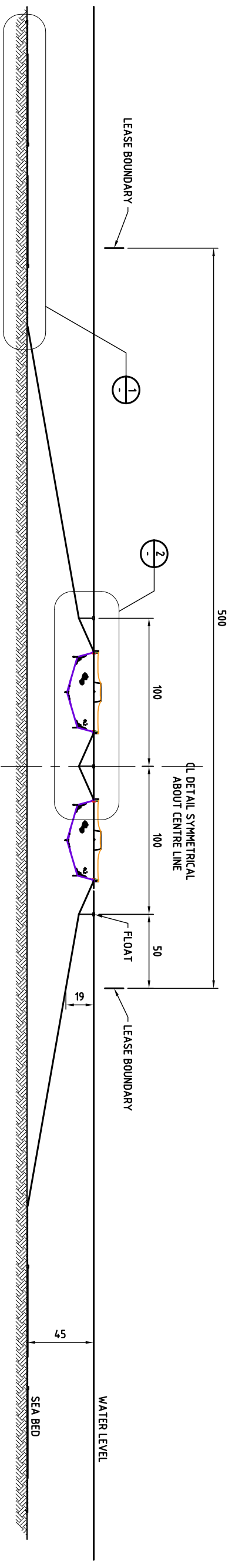


- - - - - Zone
- Area containing surface located equipment
- Concrete Mooring Blocks (5T)
- ▶ Steel Anchors (1.5T)

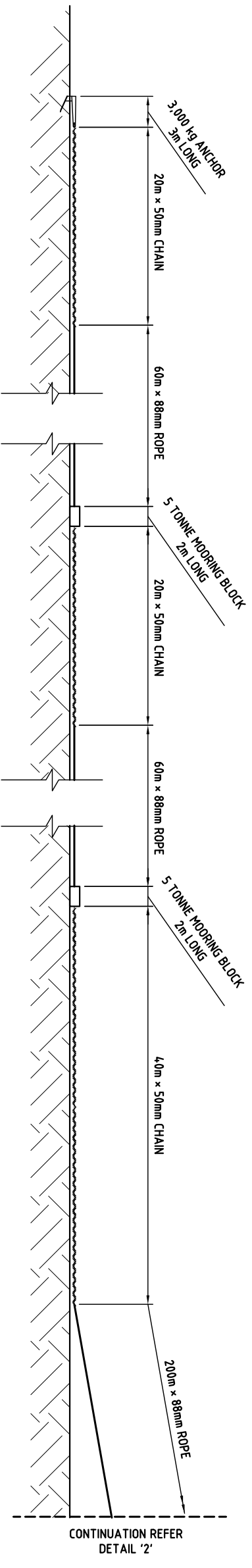
For optimal feed delivery, the aim is for a maximum of 600 m pipe length from feed barge to cage. This enables optimum delivery rate for each cage depending on biomass. Therefore, the optimal place for the barge is the centre of the lease, one on each lease. The preferred 'ship-like' feed barges would face a north-south orientation (bow facing south) to withstand the predominant wind/wave direction. For the purpose of the diagram the 45 Ha surface located marine farming equipment area is shown.



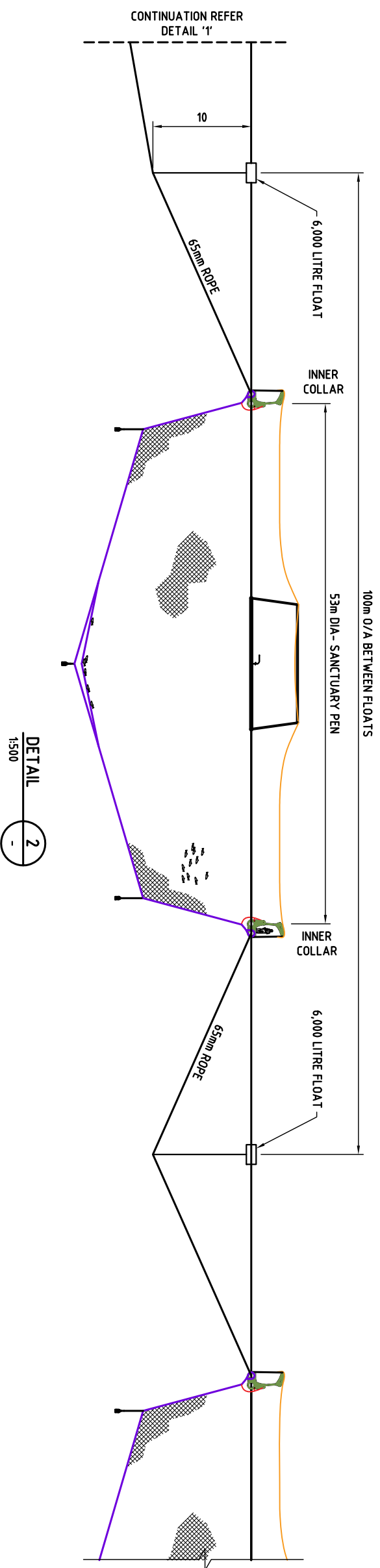
The proposed 45ha surface infrastructure area is shown above the black dotted line for each of the four proposed leases. The solid lines show the four proposed 90ha MLA areas housed within the zone (depicted by red dotted line). Coordinates shown for the corners of each of the proposed four 90ha MLA areas.



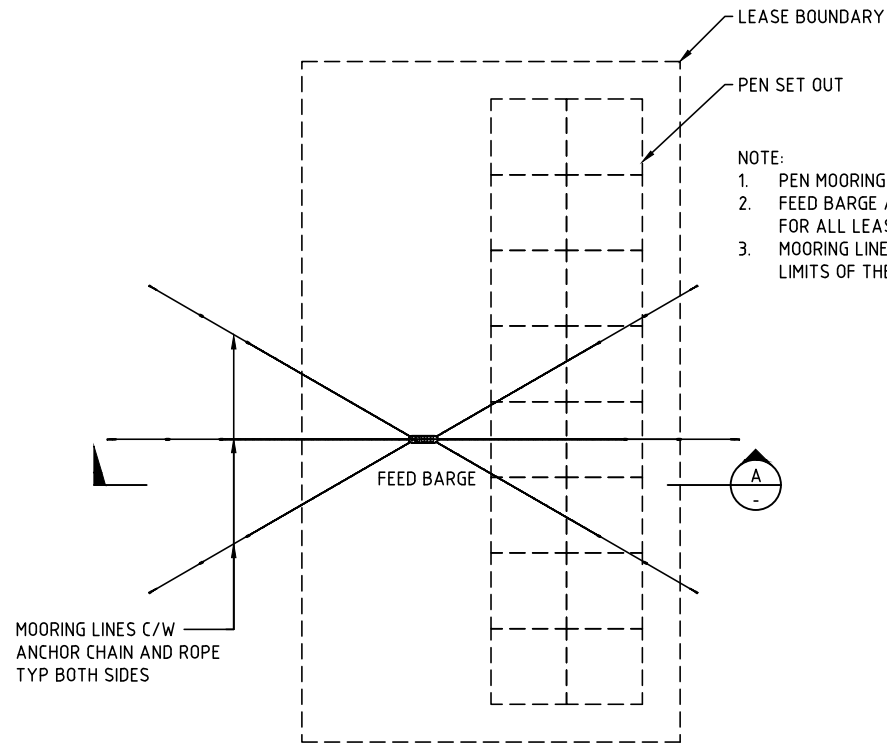
GRID MOORING - ELEVATION
SCALE 1:3000



DETAIL 1
1:1500



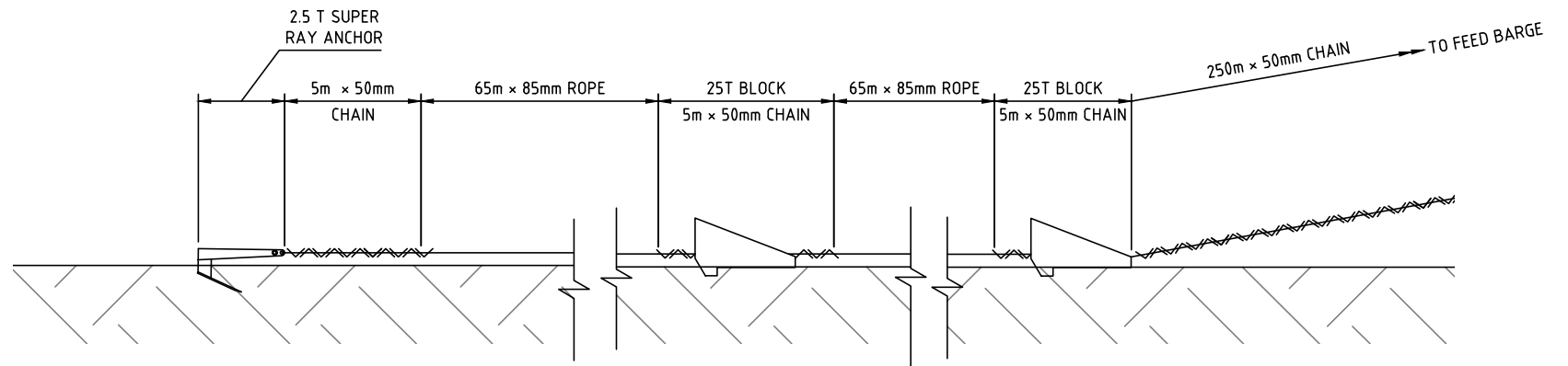
A	PRELIMINARY	DATE	17/09/17	PHI	APR	DATE		APPROVED		DESIGNED	SEP 2017	DATE		DESIGNED	BW	SIGNATURE	
	DESCRIPTION																
<p>tassal PURE TASMANIA</p> <p>TASSAL GROUP LIMITED, ACN 106 324 127 2008 A/L RIGHTS RESERVED.</p> <p>TASSAL OPERATIONS PTY LTD, ACN 106 324 127 / ABN 38 106 324 127 GPO BOX 1645 HOBART TAS. 7000 PHONE: 1300 66 0491 FACSIMILE: 1300 88 0179 EMAIL: tassal@tassal.com.au WEBSITE: www.tassal.com.au</p> <p>PROJECT: WEST OF WEDGE HIGH ENERGY LEASE NUBEENA</p> <p>TITLE: PROPOSED MOORING SYSTEM ELEVATION AND DETAILS</p> <p>SCALE: AS SHOWN DRAWING No. WOW-SK01</p> <p>STATE: TASMANIA NOT TO BE USED FOR CONSTRUCTION DO NOT SCALE OFF DRAWING</p>																	



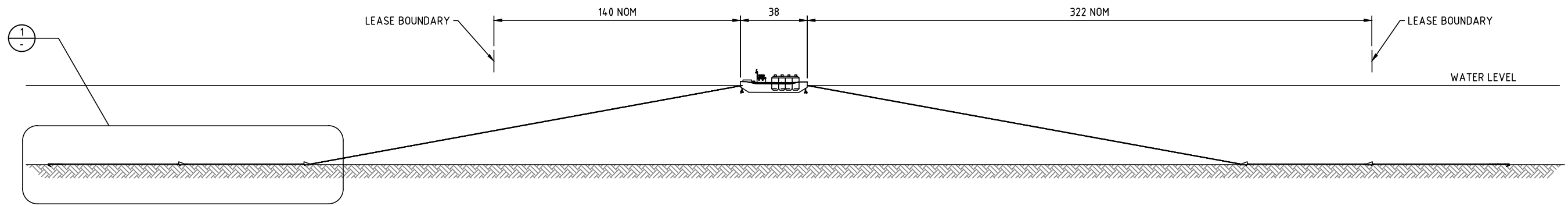
- NOTE:
1. PEN MOORINGS NOT SHOWN FOR CLARITY
 2. FEED BARGE AND MOORING ARRANGEMENT TYPICAL FOR ALL LEASES WITHIN THE WoW ZONE BOUNDARY
 3. MOORING LINES AND ANCHOR TO FALL WITHIN THE LIMITS OF THE ZONE BOUNDARY

MOORING LINES C/W ANCHOR CHAIN AND ROPE TYP BOTH SIDES

FEED BARGE MOORING IN LEASE LOCATION PLAN
SCALE 1:100,000



DETAIL 1 TYPICAL
1:250



ELEVATION A FEED BARGE MOORING
1:2500

CONCEPT ONLY NOT FOR CONSTRUCTION

REV.	DESCRIPTION	APP.	DATE
A	PRELIMINARY	BW	09/10/17

SIGNATURE	DATE
DRAWN BW	OCT 2017
DESIGNED	
APPROVED	



TASSAL GROUP LIMITED.
TASSAL OPERATIONS PTY LTD.
ACN 106 324 127 ABN 38 106 324 127
GPO BOX 1645 HOBART, TAS., 7000
PHONE: 1300 66 0491 FACSIMILE: 1300 88 0179
EMAIL: tassal@tassal.com.au WEBSITE: www.tassal.com.au

PROJECT
WEST OF WEDGE
HIGH ENERGY LEASE
NUBEENA

TITLE
PROPOSED MOORING SYSTEM
ELVATION AND DETAILS

0 4000 8000 12000 16000
DIMENSIONS IN MILLIMETERS
STATUS: PRELIMINARY ONLY
NOT TO BE USED FOR CONSTRUCTION
SCALE (AS SHOWN) UNO DO NOT SCALE OFF DRAWING
DRAWING No. WOW-SK02 REV. A

A3